

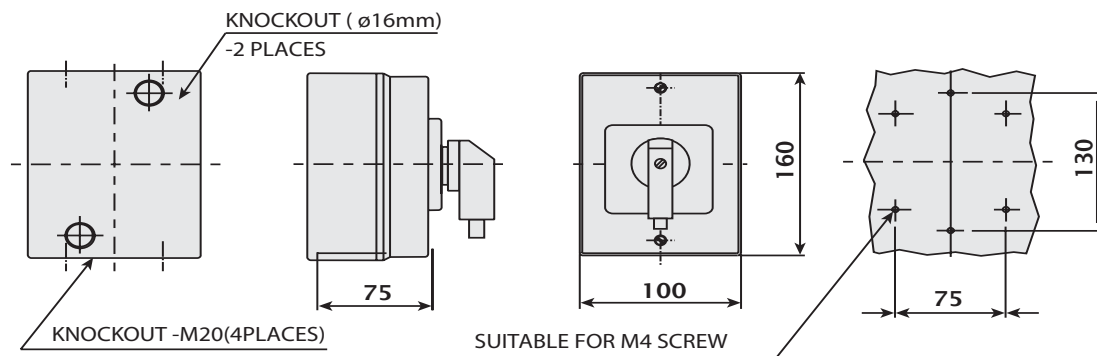
DC Safety Switches

SS416IP65DC
SS432IP65DC



- Switch mounted in ABS / polycarbonate (optional) enclosure.
- Round padlocking device (Max.3 padlocks) to prevent the Switch from being made to ON by unauthorised personnel.
- Switch rear mounted for easy connection.
- Degree of protection : IP65.
- GREY / Black-handle colour for MAIN / EMERGENCY Switches.
- Enclosure colour : Dark grey base and light grey cover.

Dimensions



TECHNICAL SPECIFICATION

According to IEC 60947-3

Type	Configuration	Measure	DC21A						DC22A			
			500V	600V	700V	800V	900V	1000V	500V	600V	800V	1000V
DCLB216	2 poles in series	Amp	16	16	16	16	13	9	7	5.5	2	1
	2 poles in series + 2 parallel	Amp	32	32	16	16	13	9	-	-	-	-
	4 poles in series	Amp	16	16	16	16	16	16	16	16	11.5	8
	4 poles in series + 2 parallel	Amp	32	32	32	32	32	32	-	-	-	-
DCLB225	2 poles in series	Amp	25	25	23	20	16	12	8	6	2.5	1.5
	2 poles in series + 2 parallel	Amp	40	40	23	20	16	12	-	-	-	-
	4 poles in series	Amp	25	25	25	25	25	25	25	25	12	9
	4 poles in series + 2 parallel	Amp	40	40	40	40	40	40	-	-	-	-
DCLB232	2 poles in series	Amp	32	32	27	25	20	16	9	6.5	3	2
	2 poles in series + 2 parallel	Amp	63	40	27	25	20	16	-	-	-	-
	4 poles in series	Amp	32	32	32	32	32	32	32	27.5	12.5	10
	4 poles in series + 2 parallel	Amp	63	63	63	63	63	63	-	-	-	-

TERMINAL CROSS SECTION

	Measure	DCLB216	DCLB225	DCLB232	
Single / Multi Strand wire	Min	mm ²	2.5	2.5	2.5
	Max	mm ²	10	10	25
Fine Strand Wire with Sleeve	Min	mm ²	0.75	0.75	2.5
	Max	mm ²	6	6	10
American Wire Gauge	-	AWG	10	10	6
Recommended Tightening Torque for terminals	-	Nm	1.7	1.7	2.0